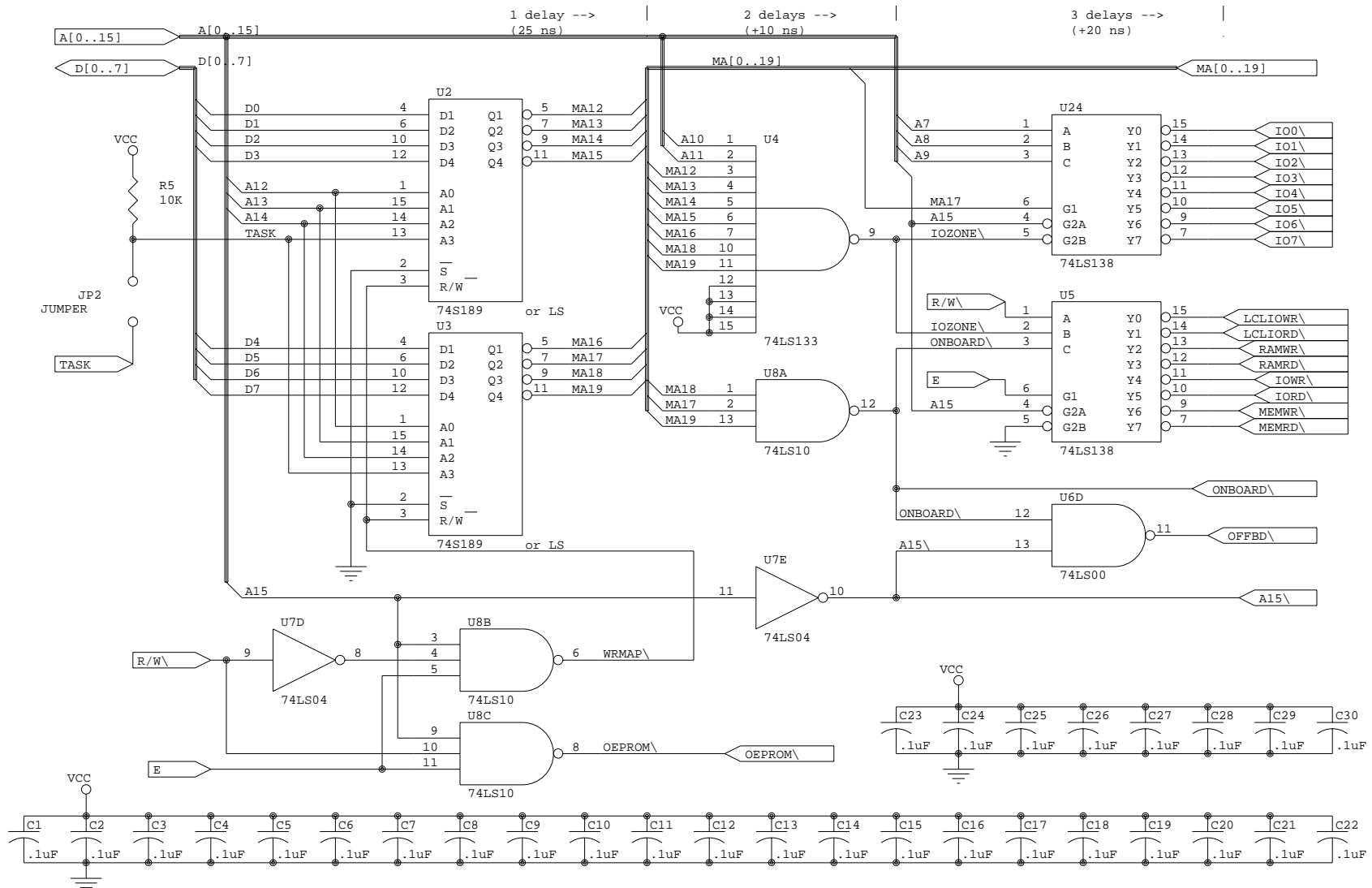


STANDARD INPUT LOADS

	74	74S	74LS	'S189	
HI	+40	+50	+20	+25	uA
LO	-1.6	-2.0	-0.4	-0.25	mA

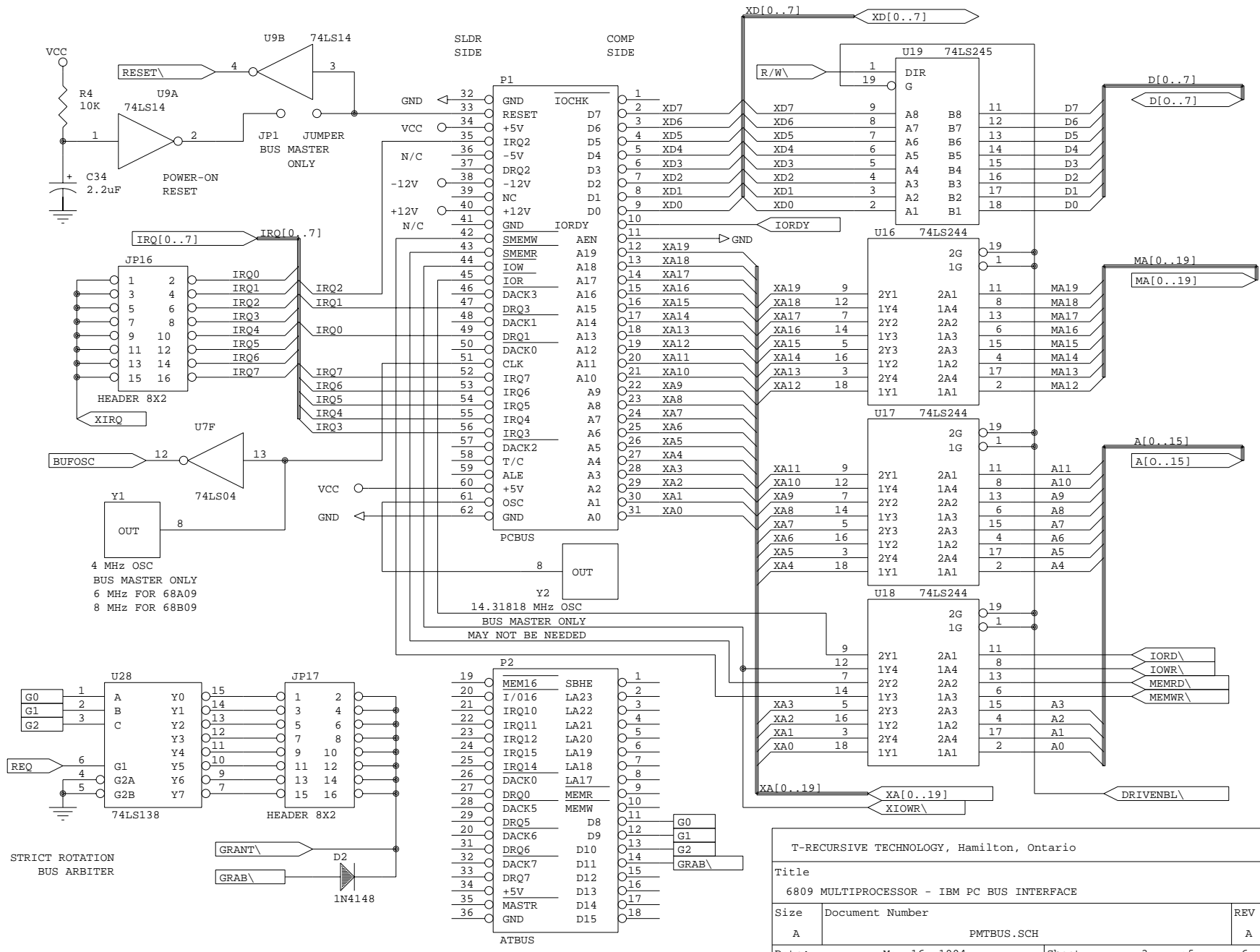
T-RECURSIVE TECHNOLOGY, Hamilton, Ontario		
Title		
6809 MULTIPROCESSOR - CPU		
Size	Document Number	REV
A	PMTCPU.SCH	A
Date:	February 18, 1994	Sheet 1 of 6



CPU ADDRS 0000-7FFF ARE MAPPED TO EXTERNAL ADDRS 00000-FFFFF
 CPU ADDRS 8000-FFFF READ THE 32K EPROM
 CPU ADDRS 8XXX-FXXX WRITE THE MAPPING RAM
 EXTERNAL ADDRS 00000-DFBFF ARE BUS MEMORY ACCESSES
 EXTERNAL ADDRS DFC00-DFFFF ARE BUS I/O ACCESSSES
 EXTERNAL ADDRS E0000-FBFFF ARE ON-BOARD RAM
 EXTERNAL ADDRS FFC00-FFFFF ARE ON-BOARD I/O

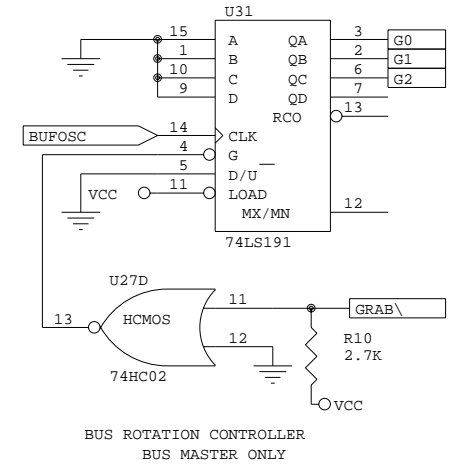
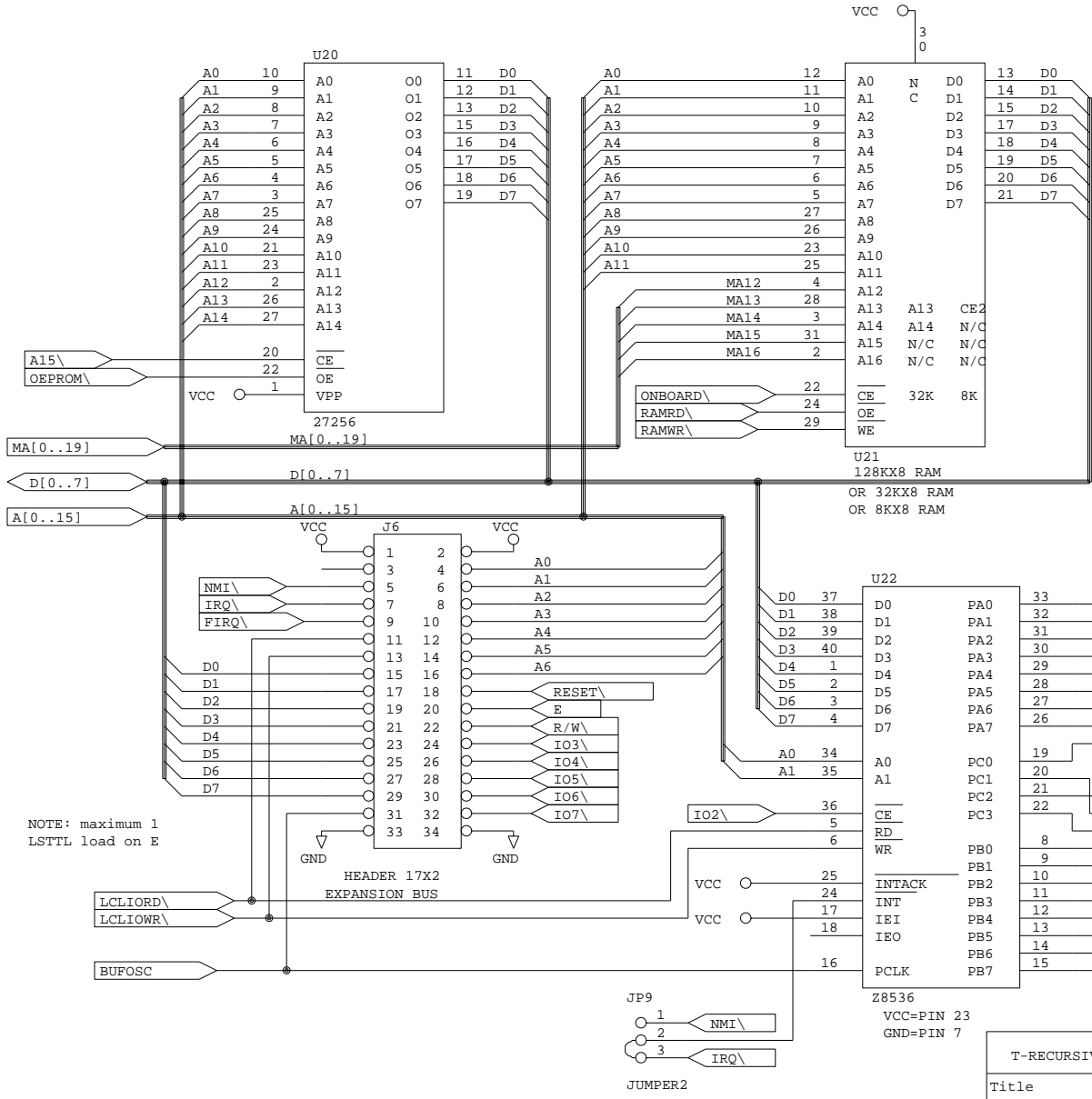
1101 1111 11xx xxxx xxxx
 1111 1111 11xx xxxx xxxx

T-RECURSIVE TECHNOLOGY, Hamilton, Ontario		
Title		
6809 MULTIPROCESSOR - MEMORY MAPPING		
Size	Document Number	REV
A	PMTMAP.SCH	A
Date:	February 18, 1994	Sheet 2 of 6



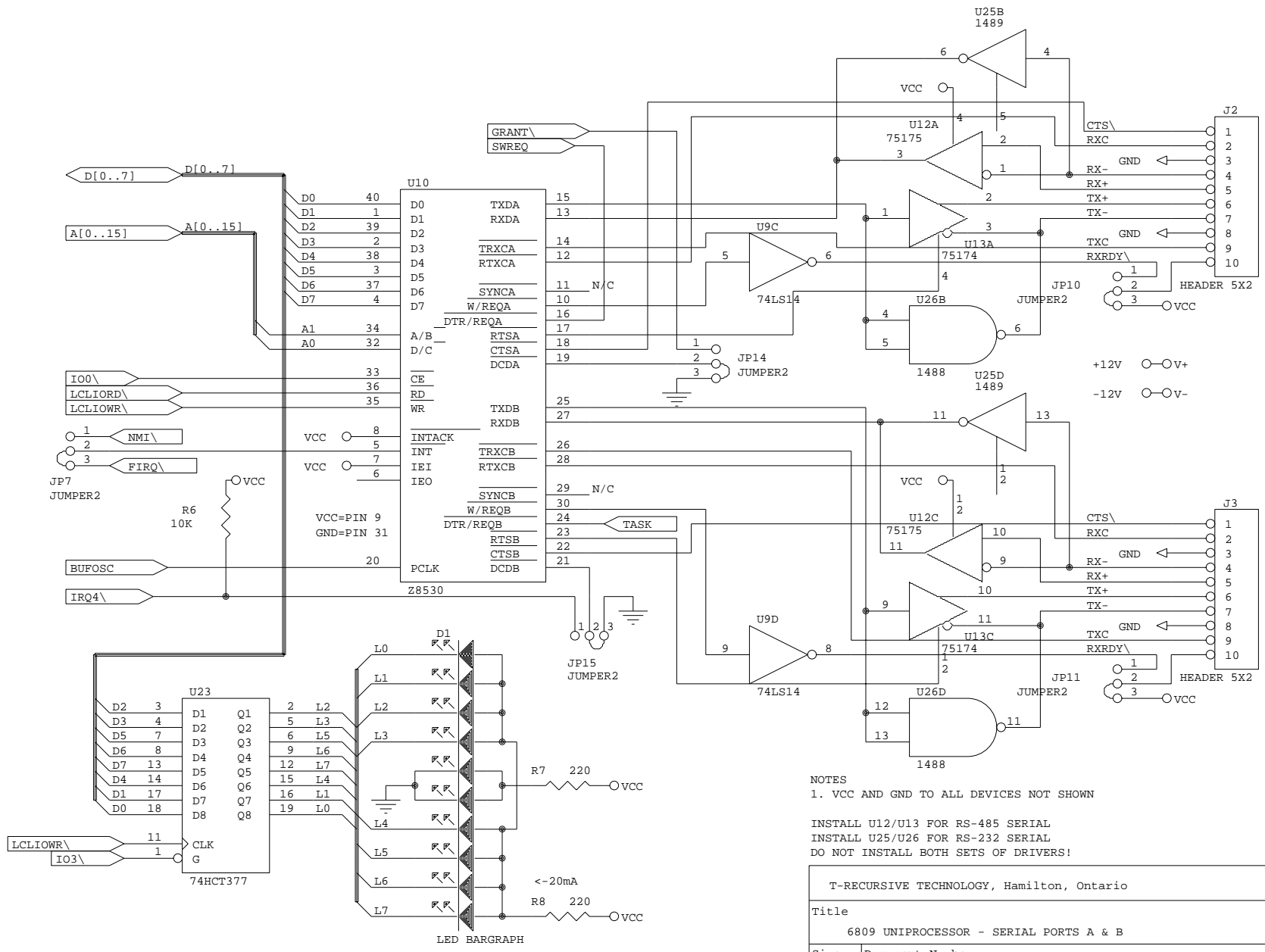
STRICT ROTATION
BUS ARBITER

T-RECURSIVE TECHNOLOGY, Hamilton, Ontario		
Title 6809 MULTIPROCESSOR - IBM PC BUS INTERFACE		
Size A	Document Number PMTBUS.SCH	REV A
Date: May 16, 1994	Sheet 3 of 6	



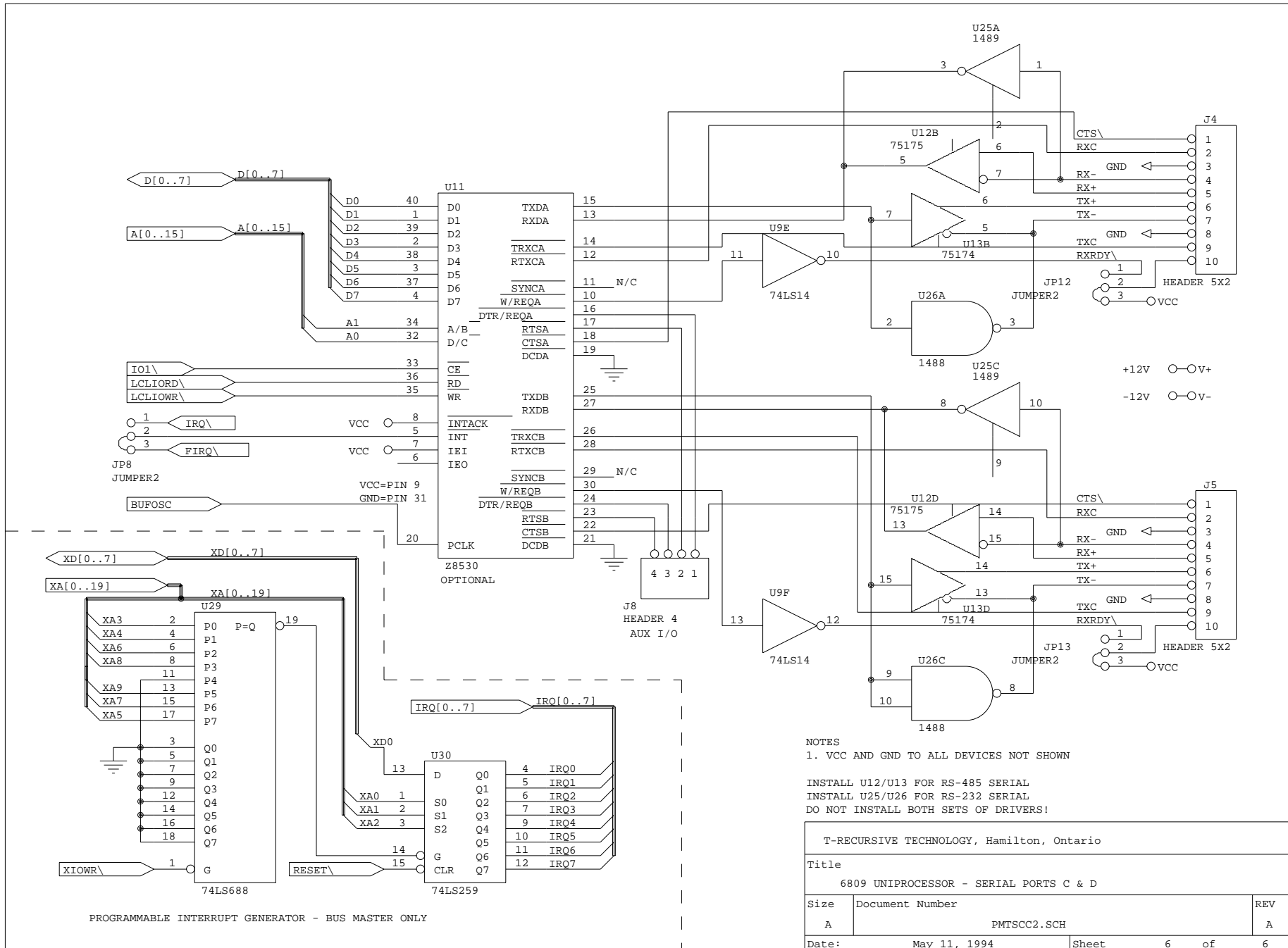
NOTE: maximum 1 LSTTL load on E

T-RECURSIVE TECHNOLOGY, Hamilton, Ontario		
Title		
6809 MULTIPROCESSOR - MEMORY & I/O		
Size	Document Number	REV
A	PMTIO.SCH	A
Date:	June 20, 1994	Sheet 4 of 6



NOTES
 1. VCC AND GND TO ALL DEVICES NOT SHOWN
 INSTALL U12/U13 FOR RS-485 SERIAL
 INSTALL U25/U26 FOR RS-232 SERIAL
 DO NOT INSTALL BOTH SETS OF DRIVERS!

T-RECURSIVE TECHNOLOGY, Hamilton, Ontario		
Title 6809 UNIPROCESSOR - SERIAL PORTS A & B		
Size A	Document Number PMTSCC.SCH	REV A
Date: May 16, 1994	Sheet 5	of 6



NOTES
 1. VCC AND GND TO ALL DEVICES NOT SHOWN
 INSTALL U12/U13 FOR RS-485 SERIAL
 INSTALL U25/U26 FOR RS-232 SERIAL
 DO NOT INSTALL BOTH SETS OF DRIVERS!

T-RECURSIVE TECHNOLOGY, Hamilton, Ontario		
Title 6809 UNIPROCESSOR - SERIAL PORTS C & D		
Size A	Document Number PMTSCC2.SCH	REV A
Date: May 11, 1994	Sheet 6	of 6

PROGRAMMABLE INTERRUPT GENERATOR - BUS MASTER ONLY