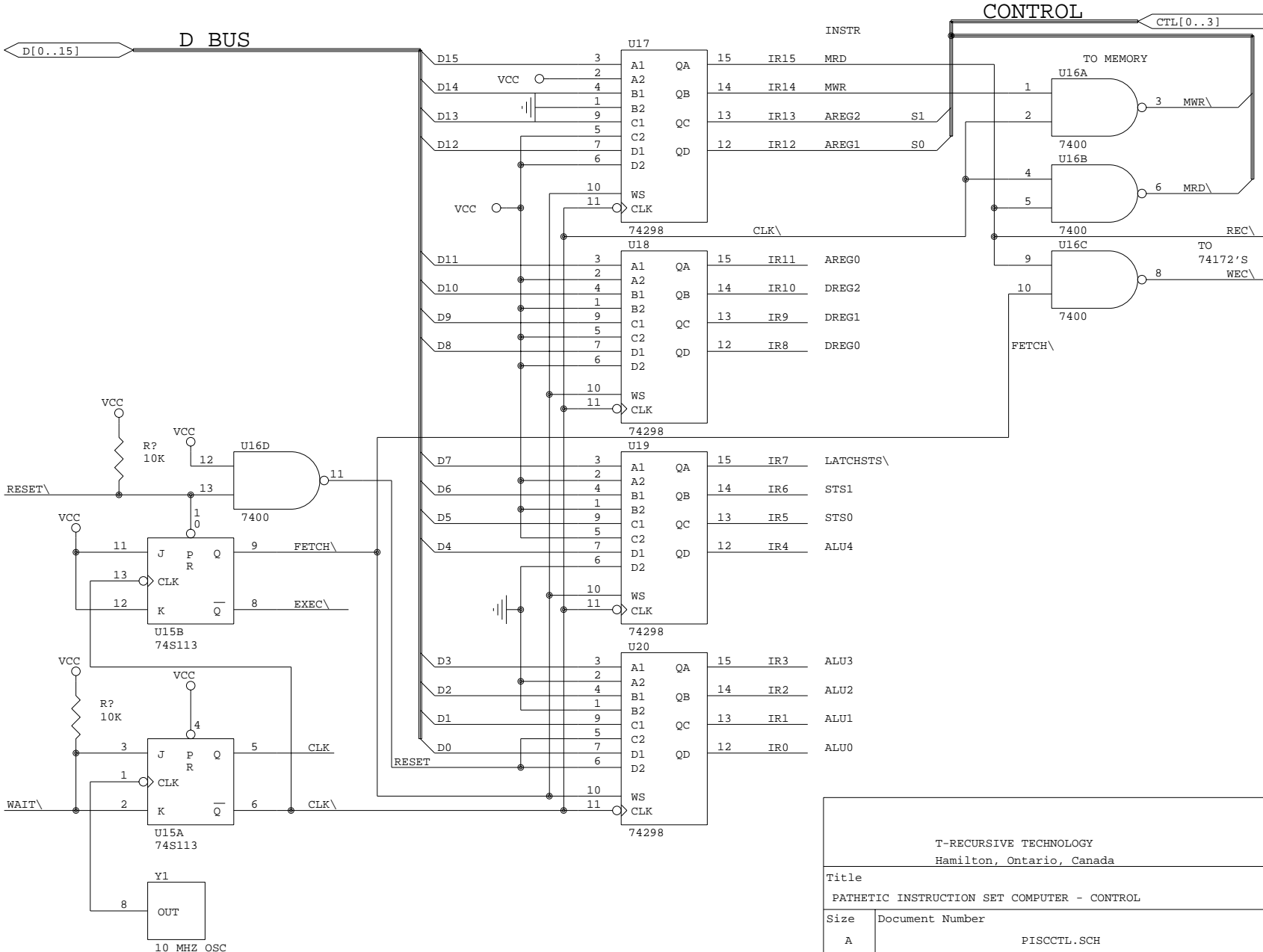
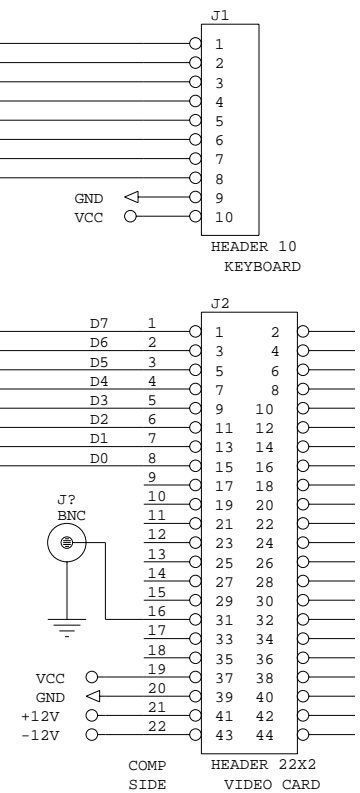
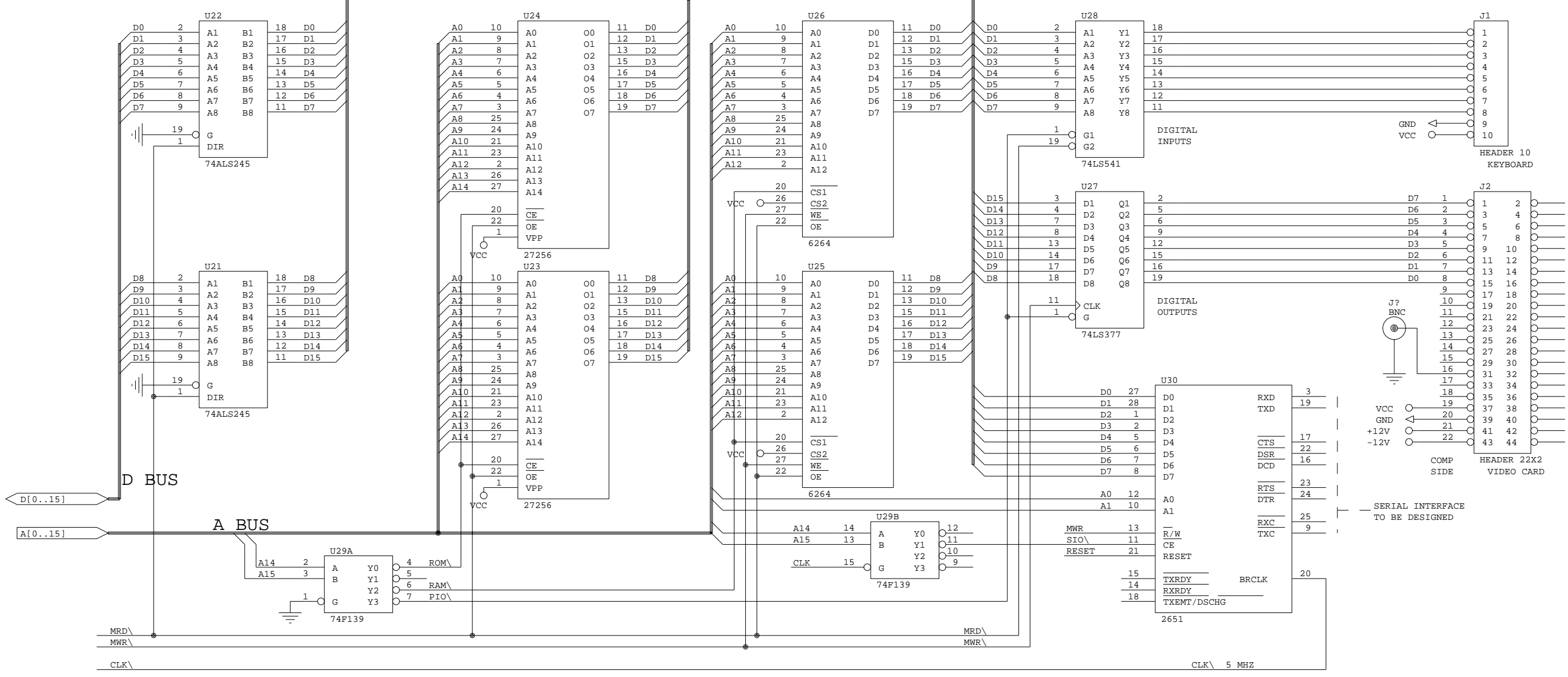


T-RECURSIVE TECHNOLOGY Hamilton, Ontario, Canada		
Title PATHETIC INSTRUCTION SET COMPUTER - ALU		
Size B	Document Number PISC.SCH	REV A
Date: September 10, 1993	Sheet 1	of 3



T-RECURSIVE TECHNOLOGY Hamilton, Ontario, Canada		
Title PATHETIC INSTRUCTION SET COMPUTER - CONTROL		
Size A	Document Number PISCCTL.SCH	REV A
Date: September 10, 1993	Sheet 2	of 3

EXTERNAL DATA BUS



T-RECURSIVE TECHNOLOGY Hamilton, Ontario, Canada		
Title PATHETIC INSTRUCTION SET COMPUTER - MEMORY		
Size B	Document Number PISCMEM.SCH	REV 0
Date: September 10, 1993	Sheet 3	of 3