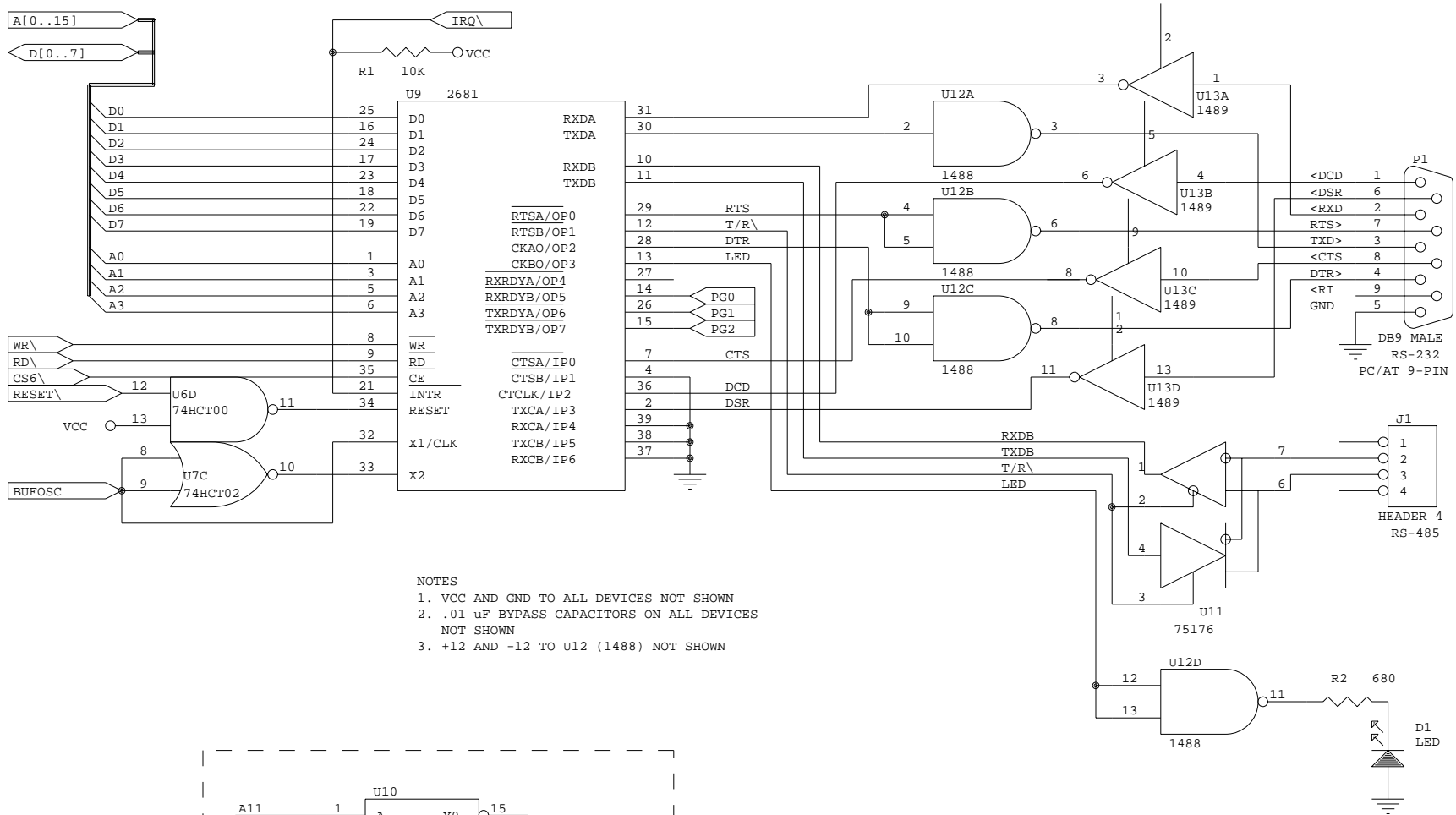
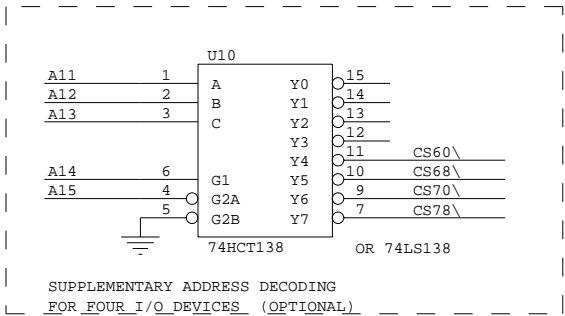


- NOTES
- VCC AND GND TO ALL DEVICES NOT SHOWN
 - .01 uF BYPASS CAPACITORS ON ALL DEVICES NOT SHOWN

T-RECURSIVE TECHNOLOGY, Hamilton, Ontario		
Title		
6809 UNIPROCESSOR - CPU AND MEMORY		
Size	Document Number	REV
A	6809CPU.SCH	0
Date:	March 12, 1993	Sheet 1 of 2



- NOTES
1. VCC AND GND TO ALL DEVICES NOT SHOWN
 2. .01 uF BYPASS CAPACITORS ON ALL DEVICES NOT SHOWN
 3. +12 AND -12 TO U12 (1488) NOT SHOWN



T-RECURSIVE TECHNOLOGY, Hamilton, Ontario		
Title		
6809 UNIPROCESSOR - SERIAL I/O		
Size	Document Number	REV
A	6809IO.SCH	0
Date:	March 12, 1993	Sheet 2 of 2